

BUGG®

STAND Assembly Instructions



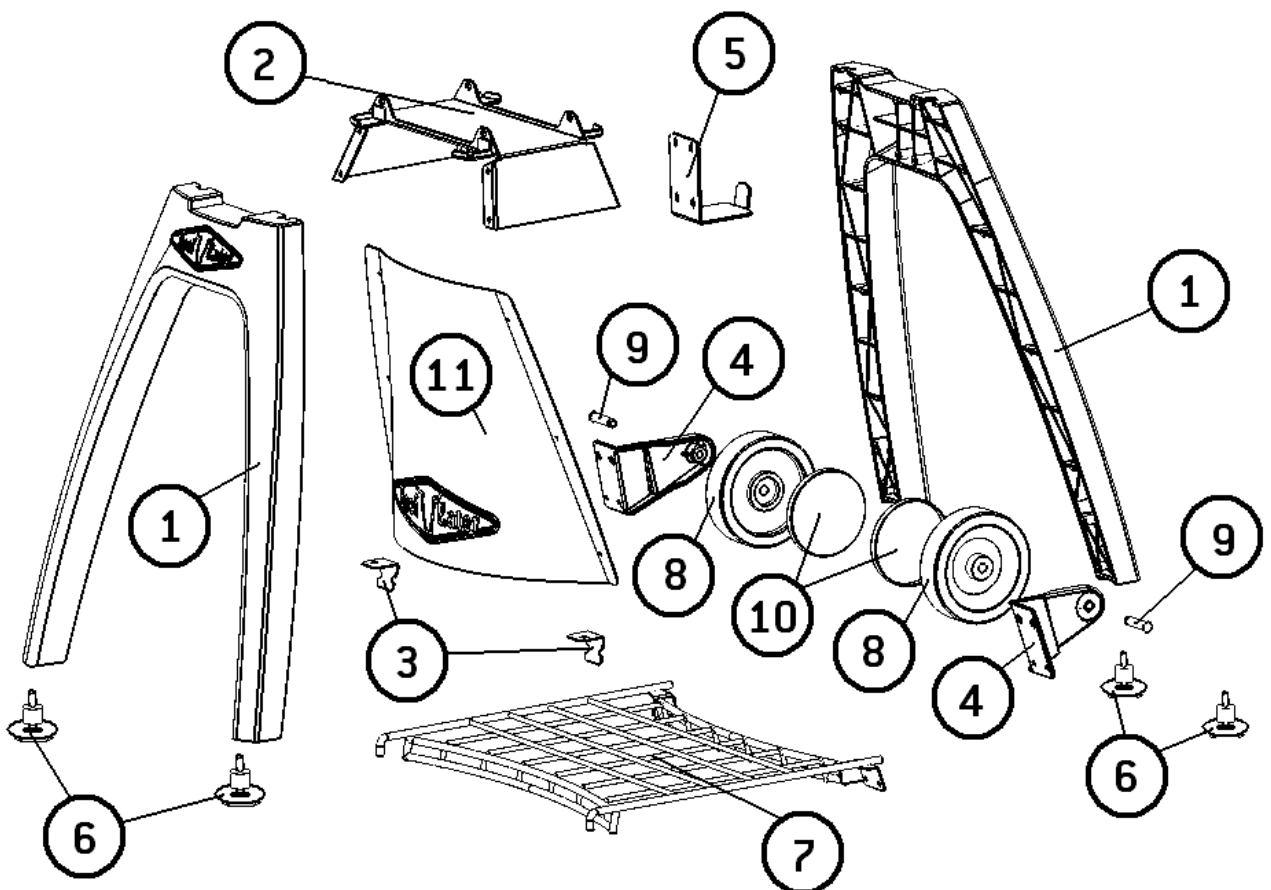
FOR OUTDOOR USE ONLY



Beef Eater
Beef Eater
Serious Barbecues

Content:

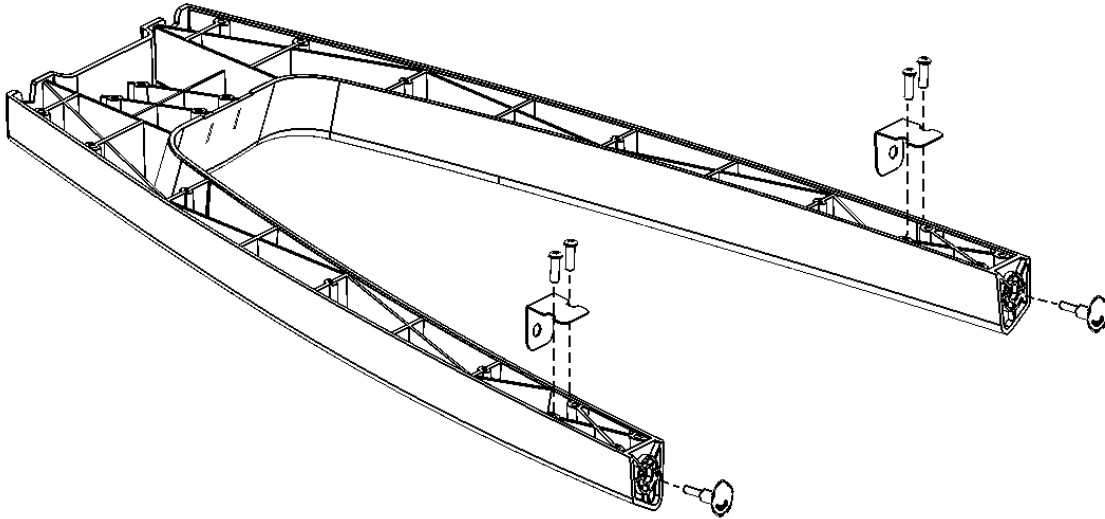
Index	Description	Quantity
1	Leg	2
2	Top Connecting Panel	1
3	Front Shelf Brackets	1R + 1L
4	Wheel Bracket	1R + 1L
5	Cylinder Hook	1
6	Silicone Feet	4
7	Wire Shelf	1
8	Wheel	2
9	Shaft	2
10	Hub Caps	2
11	Cylinder Shield	1
Fasteners		
A	Screw , 16mm (black)	20
A1	Screw , 25mm (stainless Steel)	4
B	Spring Washer	24
C	Screw, 8mm	6
D	Circlip	2
E	Plastic Washer	6
F	Alan Key	1



ASSEMBLY:

1. Assemble Front leg:
[4 x A, 4 x B]

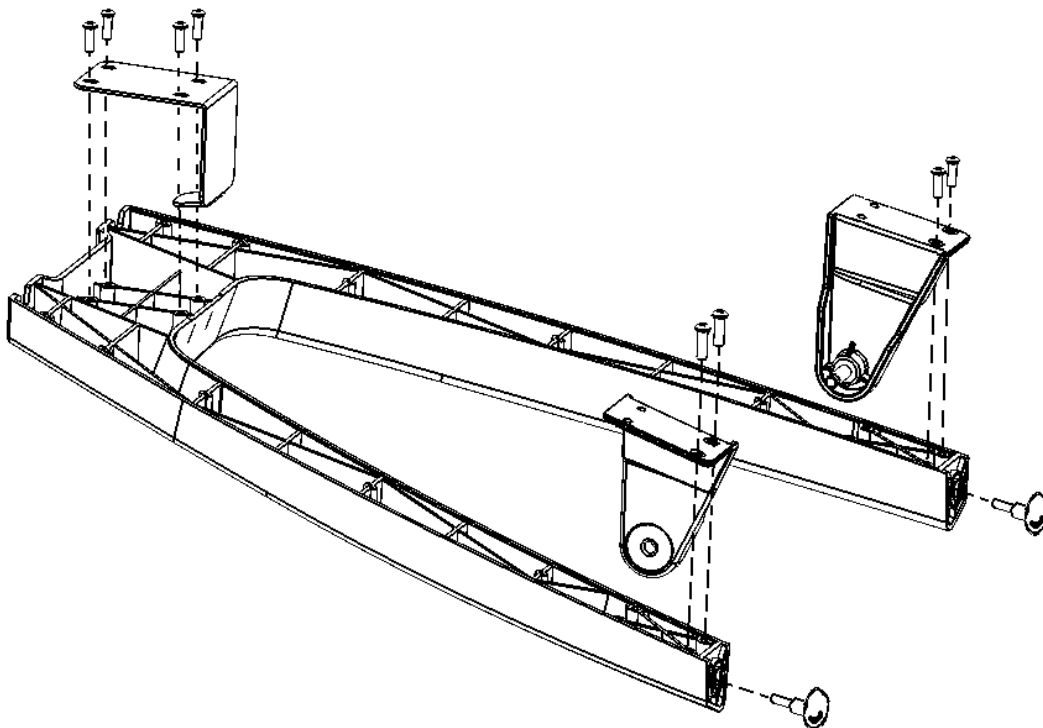
Place the Leg (1) on a padded flat, level surface and assemble the two Front Shelf Brackets (3). Insert two Silicone Feet (6) to the bottom hole, and pull until rest against bottom of leg.



2. Assemble Back leg:
[8 x A, 8 x B]

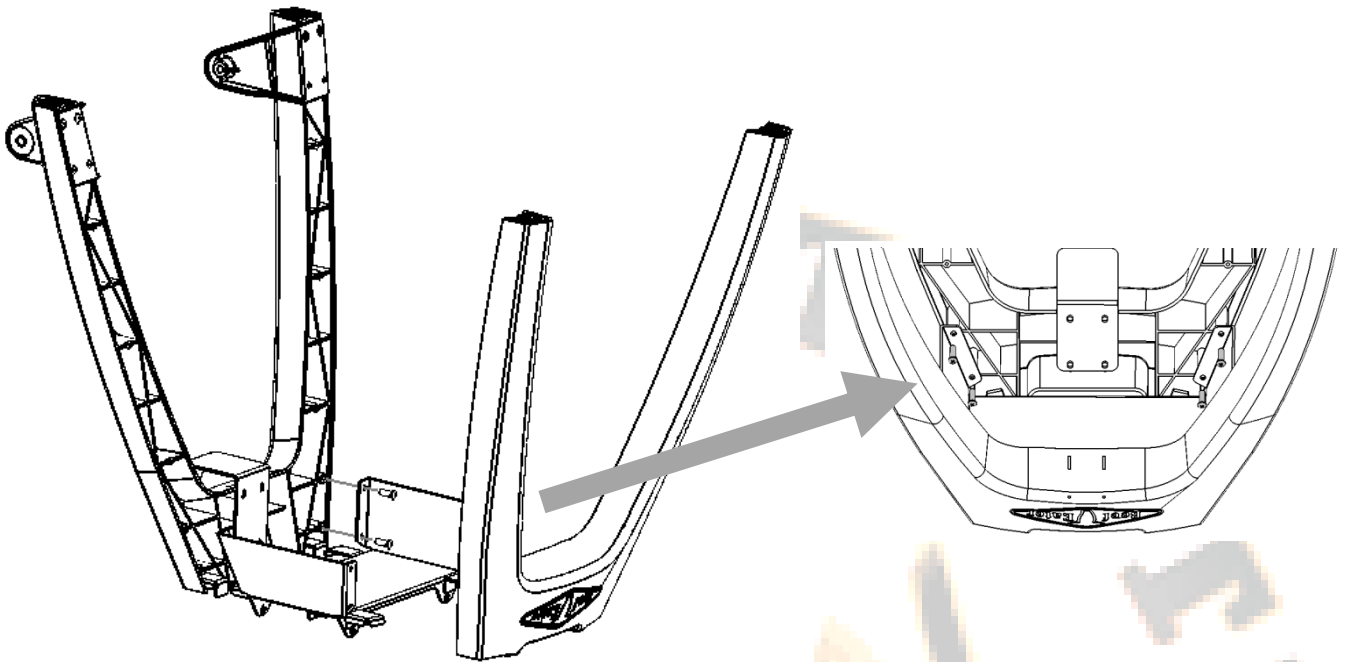
Place other Leg (1) on a padded flat, level surface and assemble the Wheel Brackets (4) and Cylinder Hook (5). Insert two Silicone Feet (6) to the bottom hole, and pull until rest against bottom of leg.

Note: at this stage each Wheel Bracket is only attached by 2 lower screws!



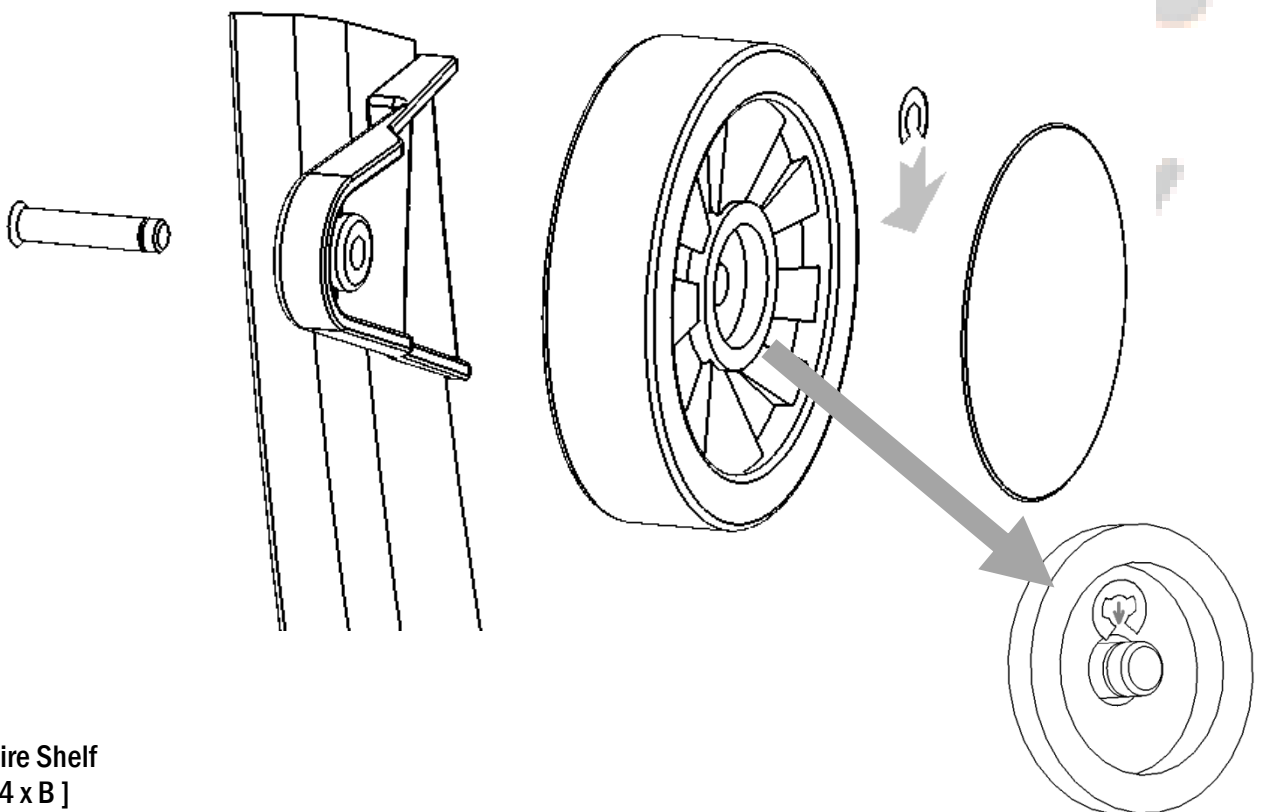
3. Assemble Stand:
[8 x A, 8 x B]

Attach the Top Connecting Panel (2) with four screws to the Front Leg and four more screws to the Back leg:



4. Assemble the wheels:
[2 x D]

Wheels (8) are placed on the inside of brackets. Insert the shaft (9) from the Wheel Bracket side inwards, and lock with a Circlip. The Circlip is to slide into the groove made in the shaft. Press the Hub-Cap (10) to place.



5. Fit the Wire Shelf
[4 x A1, 4 x B]

Model Number:

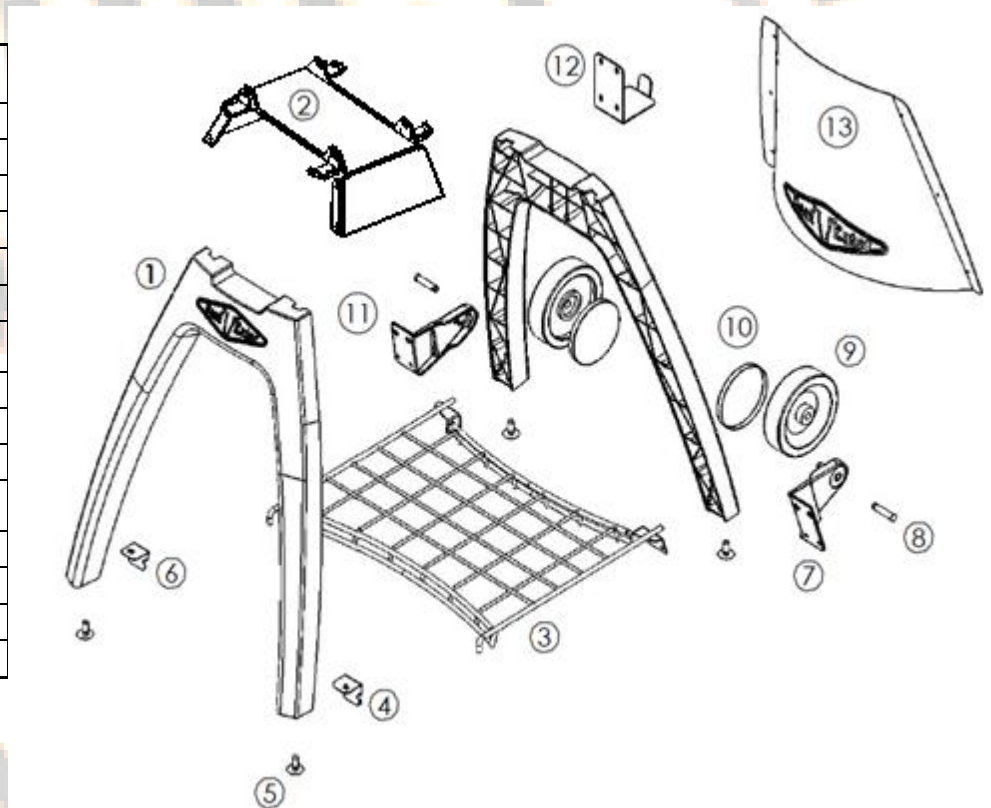
Date of Purchase:

Place where purchased:

Serial Number:

Spare Parts:

Index	Part No	Description
1	B06 0017	Leg
2	B04 0014	Connecting panel
3	B04 0017	Bottom shelf
4	B04 0016	Front shelf bracket RHS
5	B09 0021	Stand foot
6	B04 0015	Front shelf bracket LHS
7	B01 0018	Wheel bracket RHS (view from front)
8	B02 0018	Wheel axle
9	B09 0013	Wheel
10	B09 0014	Wheel cap*
11	B01 0017	Wheel bracket LHS (view from front)
12	B04 0018	Cylinder bracket
13	B06 0018	Cylinder shield
--	B05 0004	Instruction trolley
--	B09 0024	Bolt Pack trolley



Images in this manual are for illustrative purposes only. Due to constant improvement, BeefEater advises that changes to the design, material, specifications and product configuration may occur at any time without notice.

